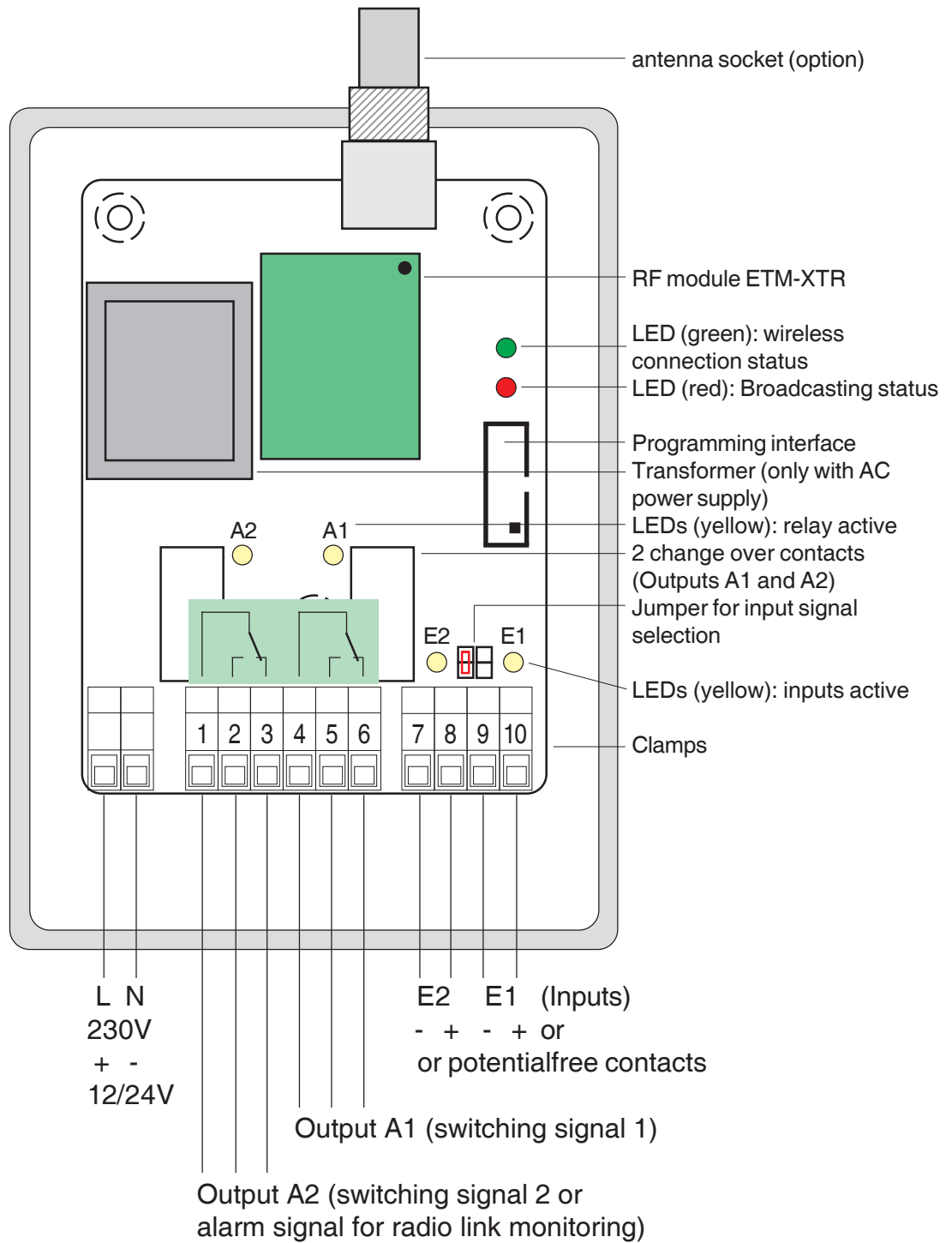


**Connection plan**

04.11.2020 / Na Technical changes, mistakes and printing errors reserved

All copyrights belong to us. The drawing must be returned after use. It may not be duplicated, used for its own purposes, nor communicated to third parties.



**Notes:**

1. for inputs E1 u. E2 (5-24V DC) applies to DC supply:

„- E“ = „-“ of power supply

2. Jumper or solder bridge for selection of the input typ

(applies to E1 and E2 simultaneously)

 Eingang potentialfreier Kontakt (Stellung +Vin)

 Eingang 5-24V DC digital (Stellung 0V)