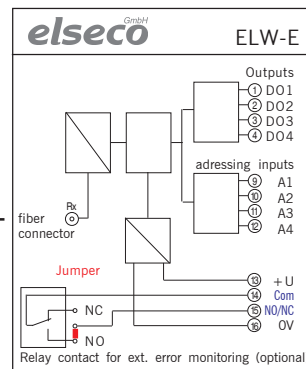
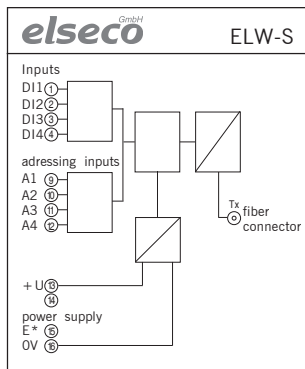


Fiber optic signal converter ELW (I/O system) Connection plan

16.02.2021 / Na technical changes, errors and printing errors reserved

... Elektronik nach Maß

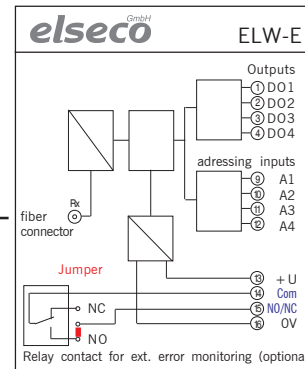
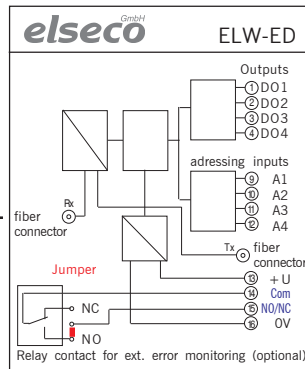
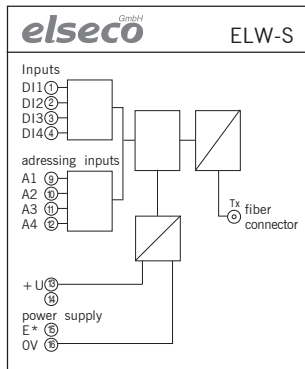
ELW-S and ELW-E (transmitter and receiver)



fiber cable (1 fiber)
e.g.
G50/125um or G62,5/125um
or E9/125um
(depending on device version)

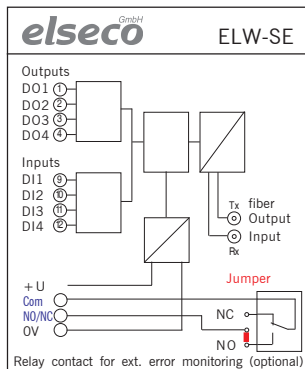
* for device with external addressing, connect clamp no. 15 (E = Enable) to +24V DC to enable ext. addressing

ELW-S (transmitter), ELW-ED (receiver with signal looping) and ELW-E (receiver)

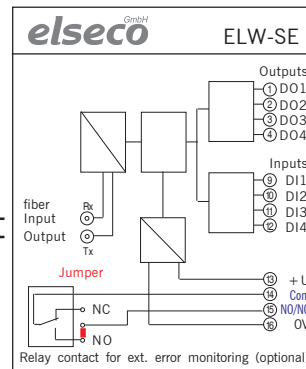


* for device with external addressing, connect clamp no. 15 (E = Enable) to +24V DC to enable ext. addressing

2x ELW-SE (2x transceivers (bidirectional))



fiber cable (2 fibers)
e.g.
G50/125um or G62,5/125um
or E9/125um
(depending on device version)



Reference potential for the digital inputs and outputs is 0V DC.

For power supply and optional relay contact please have a look at the nameplate of each device!

A maximum of 32 devices can be connected in series if addressing of each receiver is required (e.g. 1x ELW-S plus 30x ELW-ED plus 1x ELW-E). Without addressing there is no limitation. Addressing via internal DIP switches or externally via terminals (with 24V DC) is optionally available.

LED status: **green** = Power supply

red (1...4) = activity status (low/high) of inputs (ELW-S) or outputs (ELW-E/-ED/-SE)

Note: by standardizing terminal designations for inputs/outputs, these may deviate from this connection plan for older devices. The assignment and function is unchanged.

Elektronikentwicklung • Elektronikfertigung • Industrieelektronik • Messtechnik • Sensorik • Funkfernsteuerung • Funkfernbedienung
Signalumformer, Temperaturmessung, Sollwertgeber, Schaltgeräte, Schaltverstärker, Niveauschalter, Hilfsrelais, Schnittstellenwandler
Signal- und Datenübertragung per Funk- oder Lichtwellenleiter-Technik, Funk-Module, LWL-Module, RS232/RS485-Wandler

All copyrights are ours. The drawing must be returned immediately after use. It may not be duplicated, used for own purposes, nor communicated to third persons.