

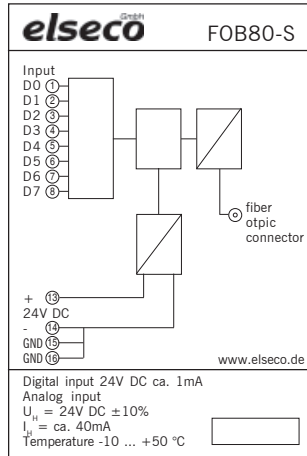
Fiber-Optic-Bridge FOB (decentralized I/O system) Connection plan

13.09.2017 / Na Technical changes, mistakes and printing errors reserved

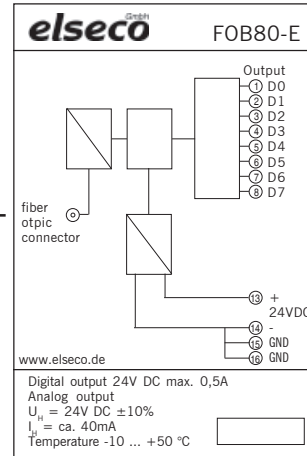
... Elektronik nach Maß

Transmission of switching, control and analog signals (standard signals)

FOB80

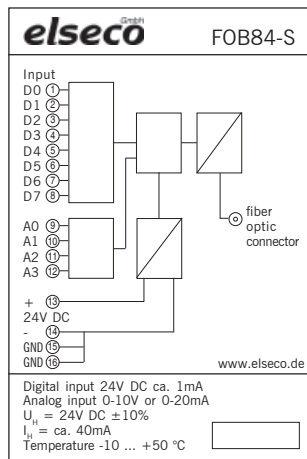


fiber optic cable (1 fiber)
50/125u or 62,5/125u or 9/125u

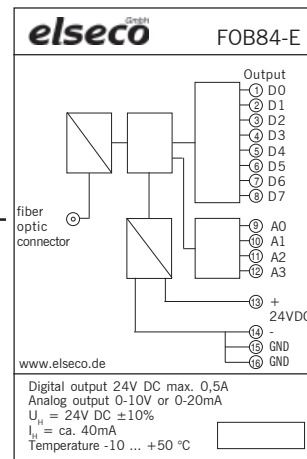


Reference potential for the digital In- and Outputs is GND (0V or -24V)

FOB84

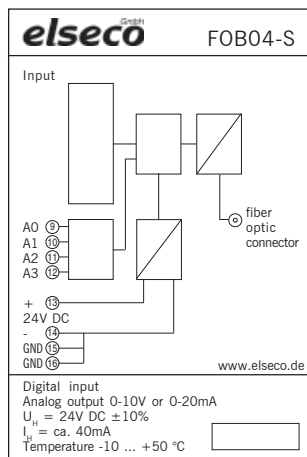


fiber optic cable (1 fiber)
50/125u or 62,5/125u or 9/125u

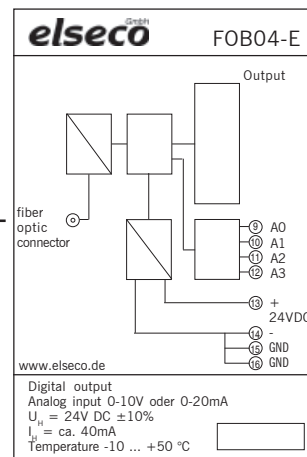


Reference potential for the digital and analog In- and Outputs is GND (0V or -24V)

FOB04



fiber optic cable (1 fiber)
50/125u or 62,5/125u or 9/125u



Reference potential for the analog In- and Outputs is GND (0V or -24V)

All copyrights belong to us. The drawing must be returned after use. It may not be duplicated, used for its own purposes, nor communicated to third parties.